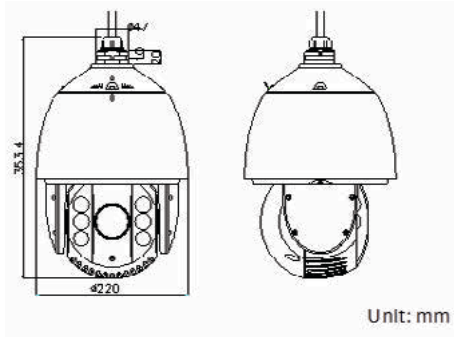


### Genel Özellikler

- 2MP CMOS Görüntü Sensörü
- Full HD 1080P Video Çıkışı
- 23X / 30X optik zum, 16X dijital zum
- Koaksiyel bağlantı desteği
- Maskeleye, 3D DNR, D WDR, EIS
- 3D akıllı konumlandırma
- True Day&Night

### Boyutlar



	DP-22AE7230TI-A	DP-22AE7230TI-A
<b>Camera</b>		
Image Sensor	1 / 3" CMOS	
Effective Pixel	3270K	
Horizontal Resolution	1100TVL	
Signal System	PAL / NTSC	
Min. Illumination	Color: 0.2Lux@( F1.6,AGC ON) ; B / W: 0.02Lux@( F1.6,AGC ON)	
White Balance	Auto / Manual / ATW / Indoor / Outdoor	
AGC	Auto / Manual	
S / N Ratio	≥50dB	
3D DNR	Support	
Digital WDR	Support	
EIS	Support	
Backlight Compensation	Support	
Shutter Time	PAL: 1-1 / 10,000s ; NTSC: 1-1 / 10,000s	
Day & Night	IR Cut Filter	
Digital Zoom	16x	
Privacy Mask	8 privacy masks programmable; a maximum of 8 zones can be masked simultaneously on the same video screen	
Focus Model	Auto / Semiautomatic / Manual	
<b>Lens</b>		
Focal Length	4-92mm, 23X	4-120mm, 30X
Zoom Speed	Approx.3.0s(Optical Wide-Tele)	Approx.3.0s(Optical Wide-Tele)
Angle of View	49-2.2 degree(Wide-Tele)	58-1.7 degree(Wide-Tele)
Min. Working Distance	10-1500mm (Wide-Tele)	
Aperture	F1.6-F3.7	F1.6-F4.4
<b>Pan and Tilt</b>		
Pan Range	360° endless	
Pan Speed	Pan Manual Speed: 0.1°-160° / s ; Pan Preset Speed: 240° / s	
Tilt Range	-15°-90° (Auto Flip)	
Tilt Speed	Tilt Manual Speed: 0.1°-120° / s ; Tilt Preset Speed: 200° / s	
Proportional Zoom	Rotation speed can be adjusted automatically according to zoom multiples	
Number of Preset	256	
Patrol	8 patrols, up to 32 presets per patrol	
Pattern	4 patterns, with the total recording time not less than 10 minutes	
Power-off Memory	Support	
Park Action	Preset / Patrol / Pattern / Pan scan / Tilt scan / Frame Scan / Random scan / Panorama scan	
PTZ Position Display	On / Off	
Preset Freezing	Support	
Scheduled Task	Preset / Patrol / Pattern / Pan scan / Tilt scan / Frame Scan / Random scan / Panorama scan	
RS-485 communication diagnosis	Support	
<b>Infrared</b>		
IR Distance	120m	
IR Intensity	Automatically adjusted, depending on the zoom ratio	
<b>Input / Output</b>		
Monitor Output	1.0V[p-p] / 75Ω, NTSC (or PAL) composite, BNC	
RS-485 Interface	Half-duplex mode; Self-adaptive HIKVISION, Pelco-P, Pelco-D protocol	
UTC function	Self-adaptive PELCO_C, HIKVISION_C(need UTC controller)	
<b>General</b>		
Menu Language	English, Chinese	
Power	24VAC(for -A model); 12VDC(for -D model)	
Working Temperature / Humidity	-30 °C-65°C(-22°F-149°F)(outdoor dome) 90% or less	
Protection Level	IP66 standard (outdoor dome) TVS 4,000V lightning protection, surge protection and voltage transient protection	
Mounting	Various mounting modes optional	
Dimensions	φ220×353.4mm (φ8.66"×13.91")(Outdoor)	
Weight (approx.)	5.5kg(12.13lbs)	