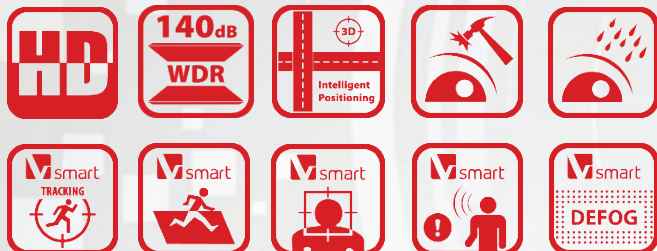


DP-22DF6236-AEL 2MP Ultra WDR Smart PTZ Camera

LIGHTFIGHTER



smart PTZ

Dunlop Lightfighter series DP-22DF6236-AEL smart PTZ Dome Cameras are able to capture high quality images in intense light source environment. Embedded with 1/2.8" progressive scan CMOS chip makes ultra WDR (140dB) and 2MP real-time resolution possible. With the 36X optical zoom Day/Night lens, the camera offers more details over expansive areas.

The Lightfighter PTZ camera also features a wide range of smart functions, including face detection, intrusion detection, line crossing detection and audio exception, benefitting users with great improvement on security efficiency, more importantly, with key events / objects being recorded for further forensic needs. These features, combined with smart tracking, which enables the camera to detect any progressively moving object and follow it within the camera's area of coverage without fault. Smart Defog and HLC/BLC are further supported to improve image quality in challenging conditions.

Key Features

- 1/2.8" HD CMOS sensor
- 2MP(1920*1080) Full HD
- High frame rate, up to 60fps@2MP
- 36X Optical Zoom
- 140dB Ultra WDR
- Smart Tracking
- Smart Detection
- Defog
- Hi-PoE / 24VAC power supply



DP-22DF6236-AEL

2MP Ultra WDR Smart PTZ

LIGHTFIGHTER



Function Description

Basic function:

- High performance CMOS, up to 1920x1080 resolution
- $\pm 0.1^\circ$ Preset Accuracy
- ONVIF(Open Network Video Interface Forum), CGI(Common Gateway Interface), PSIA(Physical Security Interoperability Alliance), to ensure greater interoperability between different platforms and compatibility
- 3D intelligent positioning function
- 3D DNR
- Ultra WDR, up to 140dB
- IP66 standard
- 7 alarm inputs and 2 alarm outputs
- Scheduled PTZ movement

Smart function:

- Smart tracking modes: Manual/ Panorama/ Intrusion trigger/ Line crossing trigger/ Region entrance trigger/ Region exiting trigger, support smart tracking when patrol between multiple scenarios
- Smart detection: support Face detection, Intrusion detection, Line crossing detection, Audio exception detection, Region entrance detection, Region exiting detection
- Smart recording: support edge recording, support dual VCA for smart search in smart NVR
- Smart image processing: support defog/HLC/BLC
- Smart codec: low bit rate, ROI

Camera function:

- Auto iris, auto focus, auto white balance, backlight compensation and auto day & night switch
- Min. Illumination: 0.05Lux@(F1.6,AGC ON)(Color), 0.01Lux@(F1.6,AGC ON)(B/W)
- Support 24 privacy masks

PTZ function:

- 360° endless pan range and 15° ~ 90° tilt range
- 540° /s Pan Preset Speed and 400° /s Tilt Preset Speed
- 0.1° ~ 300° /s Manual Pan Speed and 0.1° ~ 240° /s Manual Tilt Speed

- 300 presets programmable; preset image freezing capability
- 8 patrols, up to 32 presets per patrol
- 4 patterns, with the recording time not less than 10 minutes per pattern
- Proportional zoom function
- Park action: auto call up of PTZ movement, after a defined time of inactivity
- Power-off memory: restore PTZ & Lens status after reboot

Network function:

- H.264/MJPEG video compression
- H.264 encoding with Baseline/Main/High profile
- ROI(Region of Interest) encoding(support 6 areas with adjustable levels)
- Built-in Web server
- Onboard storage, up to 128GB
- Support up to 8 NAS storage; Edge recording(transmit the videos from SD card to the NAS after network resumed)
- HTTPS encryption and IEEE 802.1X port-based network access control
- Support tripstreams
- Multiple network protocols supported: IPv4/IPv6, HTTP, HTTPS, 802.1X, QoS, FTP, SMTP, UPnP, SNMP, DNS, DDNS, NTP, RTSP, RTP, TCP, UDP, IGMP, ICMP, DHCP, PPPoE
- 1 audio input and 1 audio output

DP-22DF6236-AEL

2MP Ultra WDR Smart PTZ



LIGHTFIGHTER

| | |
|-----------------------|--|
| Model | DP-22DF6236-AEL |
| Camera Module | |
| Image Sensor | 1/2.8" Progressive Scan CMOS |
| Min. Illumination | F1.6, 50IRE, AGC On: Color: 0.05 lux, B/W : 0.01 lux |
| Max. Image Resolution | 1920×1080 |
| Focal Length | 4.5-162mm, 36x |
| Digital Zoom | 16X |
| Zoom Speed | Approx.3.3s(Optical Wide-Tele) |
| Angle of View | 60.6-3.68 degree (Wide-Tele) |
| Min. Working Distance | 10-1500mm(Wide-Tele) |
| Aperture Range | F1.6~F4.4 |
| Focus Mode | Auto / Semiautomatic / Manual |
| WDR | 140dB |
| S / N Ratio | ≥ 55dB |
| Shutter Time | 50Hz: 1~1/30,000s; 60Hz: 1~1/30,000s |
| AGC | Auto / Manual |
| White Balance | Auto / Manual /ATW/Indoor/Outdoor/Daylight lamp/Sodium lamp |
| Day & Night | IR Cut Filter |
| Privacy Mask | 24 privacy masks programmable |
| Enhancement | 3D DNR, Defog, HLC/BLC, SVC |
| Pan and Tilt | |
| Range | Pan:360° endless; Tilt: -15°~90°(Auto Flip) |
| Speed | Pan Manual Speed: 0.1~300°/s, Pan Preset Speed: 540°/s Tilt Manual Speed: 0.1~240°/s, Tilt Preset Speed: 400°/s |
| Number of Preset | 300 |
| Patrol | 8 patrols, up to 32 presets per patrol |
| Pattern | 10 patterns, with the recording time not less than 10 minutes per pattern |
| Park Action | Preset / Patrol / Pattern / Auto scan / Tilt scan / Random scan / Frame scan / Panorama scan |
| Scheduled Task | Preset / Patrol / Pattern / Auto scan / Tilt scan / Random scan / Frame scan / Panorama scan/Dome reboot/Dome adjust/Aux output |
| Smart Features | |
| Smart tracking | Manual/ Panorama/ Intrusion trigger/ Line crossing trigger/ Region entrance trigger/ Region exiting trigger Smart tracking when patrol between multiple scenarios |
| Smart detection | Face detection, Intrusion detection, Line crossing detection, Audio exception detection, Region entrance detection, Region exiting detection |
| ROI encoding | Support 6 areas with adjustable levels |
| Alarm | |
| Alarm I/O | 7/2 |
| Alarm Trigger | Face detection, Intrusion detection, Line crossing detection, Region exiting, Audio exception detection, Motion detection, Dynamic analysis, Tampering alarm, Network disconnect, IP address conflict, Storage exception |
| Alarm Action | Preset, Patrol, Pattern, Micro SD/SDHC card recording, Relay output, Notification on Client, Send Email, Upload to FTP, Trigger Channel |
| Input/Output | |
| Monitor Output | 1.0V[p-p] / 75Ω, NTSC (or PAL) composite, BNC |
| Audio Input | 1 Mic in/Line in interface, line input: 2-2.4V[p-p]; output impedance: 1KΩ, ±10% |
| Audio Output | 1 Audio output interface, line level, impedance: 600Ω |
| Network | |
| Ethernet | 10Base-T / 100Base-TX, RJ45 connector |
| Main Stream | 50Hz: 25fps(1920× 1080), 25fps (1280× 960) / 50fps(1920× 1080), 50fps(1280× 960), 50fps(1280× 720) 60Hz: 30fps(1920× 1080), 30fps (1280× 960) / 60fps(1920× 1080), 60fps(1280× 960), 60fps(1280× 720) |
| Sub Stream | 50Hz: 25fps(704×576, 352×288, 176×144); 60Hz: 30fps(704×480, 352×240, 176×120) |
| Third Stream | 50Hz: 25fps(1920×1080, 1280×960, 1280×720, 704×576, 352×288, 176×144) 60Hz: 30fps(1920×1080, 1280×960, 1280×720, 704×480, 352×240, 176×120) |
| Image Compression | H.264/MJPEG, H.264 encoding with Baseline/Main/High profile |

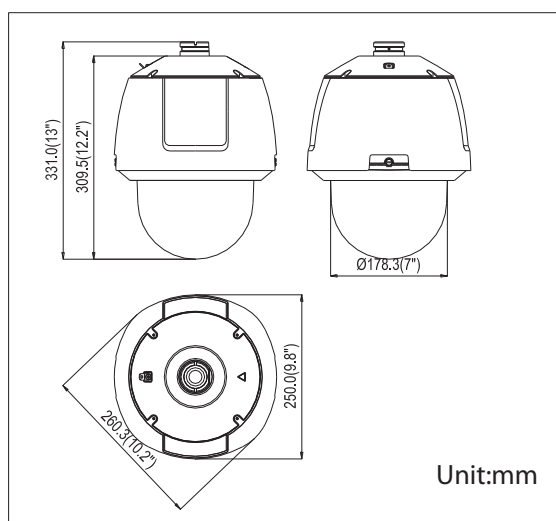
DP-22DF6236-AEL 2MP Ultra WDR Smart PTZ



LIGHTFIGHTER

| | |
|---------------------------|---|
| Audio Compression | G.711ulaw/G.711alaw/G.726/MP2L2/G.722 |
| Protocols | IPv4/IPv6, HTTP, HTTPS, 802.1X, QoS, FTP, SMTP, UPnP, SNMP, DNS, DDNS, NTP, RTSP, RTP, TCP, UDP, IGMP, ICMP, DHCP, PPPoE |
| Simultaneous Live View | Up to 20 users |
| Mini SD Memory Card | Support up to 128GB Micro SD/SDHC/SDXC card. Support Edge recording |
| User/Host Level | Up to 32 users, 3 Levels: Administrator, Operator and User |
| Security Measures | User authentication (ID and PW); Host authentication (MAC address); IP address filtering |
| System Integration | |
| Application programming | Open-ended API, support ONVIF, PSIA, CGI and Genetec |
| Web Browser | IE 7+, Chrome 18+, Firefox 5.0+, Safari 5.02+, support multi-language |
| RS-485 Protocols | DUNLOP, Pelco-P, Pelco-D, self-adaptive |
| Power | Hi-PoE&24 VAC, Max.60W |
| Working Temperature | -40° C ~ 65° C (-40° F ~ 149° F) |
| Humidity | 90% or less |
| Protection Level | IP66, IK10, TVS 4,000V lightning protection, surge protection and voltage transient protection |
| Certification | FCC, CE, UL, RoHS, IEC/EN 61000, IEC/EN 55022, IEC/EN 55024, IEC/EN60950-1 |
| Dimensions | Φ178.3(mm)×331.0(mm) (Φ7.02"×13.03") |
| Weight (approx.) | 8kg (approx.) |
| Mount Option | Long-arm wall mount: DP-1602ZJ; Corner mount: DP-1602ZJ-corner; Pole Mount: DP-1602ZJ-pole; Power box mount: DP-1602ZJ-box; Swan-neck mount: DP-1619ZJ |

Dimensions



Accessories



DP-1602ZJ
Wall Mount



DP-1602ZJ-Conner
Conner Mount



DP-1602ZJ-Pole
Pole Mount



DP-1602ZJ-Box
Box Mount



DP-1663ZJ
Ceiling mount



DP-1661ZJ
Pendant mount



DP-1662ZJ
Pendant mount



DP-1619ZJ
Swan-neck Mount



DP-1100KI
Network Keyboard



DP-105KI
USB Joy-stick

DUNLOP