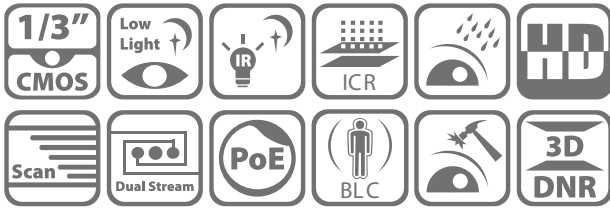


# DP-12CD1110F-I(S)(W) (1.3MP)

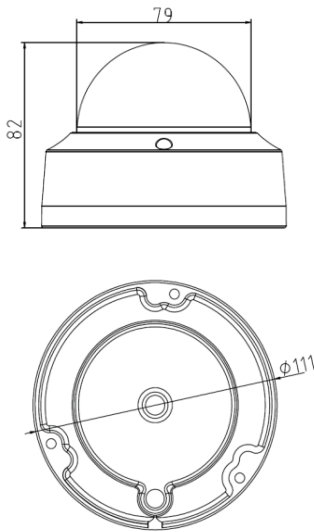
## IR Fixed Dome Network Camera



### Key features

- 1.3MP high resolution
- HD real-time video
- 3D DNR & DWDR & BLC
- IR LEDs: up to 30m
- IP66
- Vandal-proof
- PoE

### Dimensions



DP-12CD1110F-I(S)(W)	
<b>Camera</b>	
Image sensor	1/3" Progressive Scan CMOS
Min. illumination	0.01 lux@F1.2, AGC ON, 0 lux with IR
Shutter time	1/3s ~ 1/100,100s
Lens	4mm @ F2.0, (2.8mm, 6mm optional) Angle of view: 98.5°(2.8mm), 79°(4mm), 49°(6mm)
Lens mount	M12
Angle adjustment	Pan: 0° ~ 355°, Tilt: 0° ~ 65°, Rotation: 0 ~ 360°
Digital noise reduction	3D DNR
Wide dynamic range	Digital WDR
Day & night	IR cut filter with auto switch
<b>Compression Standard</b>	
Video compression	H.264 / MJPEG
H.264 codec profile	Main profile
Bit rate	32 Kbps ~ 16 Mbps
Dual stream	Yes
<b>Image</b>	
Max. Image Resolution	1280 × 960
Frame rate	50Hz: 25fps (1280 × 960), 25fps (1280 × 720) 60Hz: 30fps (1280 × 960), 30fps (1280 × 720)
Image settings	Rotate mode, Saturation, Brightness, Contrast adjustable by client software or web browser
BLC	Yes, zone configurable
ROI	Yes, up to 3 configurable areas
<b>Network</b>	
Network storage	Local storage: Built-in Micro SD/SDHC/SDXC card slot, up to 64 GB ; NAS
Alarm trigger	Intrusion detection, Motion detection, Dynamic Analysis, Tampering alarm, Network disconnect, IP address conflict, Storage full, Storage error
Protocols	TCP/IP, ICMP, HTTP, HTTPS, FTP, DHCP, DNS, DDNS, RTP, RTSP, RTCP, PPPoE, NTP, UPnP, SMTP, SNMP, IGMP, 802.1X, QoS, IPv6, Bonjour
System compatibility	ONVIF, PSIA, CGI, ISAPI
General functionalities	User Authentication, Watermark
General function	Flickerless, dual stream, heartbeat, mirror, password protection, watermark
<b>Interface</b>	
Communication Interface	1 RJ45 10M/100M Ethernet interface
Wi-Fi Specification (Only for -W model)	
Wireless Standards	IEEE802.11b, 802.11g, 802.11n Draft
Frequency Range	2.4 GHz ~ 2.4835 GHz
Channel Bandwidth	20/40MHz Support
Protocols	802.11b: CCK, QPSK, BPSK ; 802.11g/n: OFDM
Security	64/128-bit WEP, WPA/WPA2, WPA-PSK/WPA2-PSK, WPS
Transmit Output Power	11b: 17±1.5dBm @ 11Mbps ; 11g: 14±1.5dBm @ 54Mbps ; 11n: 12.5±1.5dBm
Receive Sensitivity	11b: -90dBm @ 11Mbps (Typical) ; 11g: -75dBm @ 54Mbps (Typical) ; 11n: -74dBm (Typical)
Transfer Rates	11b: 11Mbps ; 11g: 54Mbps ; 11n: up to 150Mbps
Wireless Range	Outdoor: 200m, Indoor: 50m ; *The performance varies based on actual environment.
Wireless Standards	IEEE802.11b, 802.11g, 802.11n Draft
<b>General</b>	
Operating conditions	-30 °C ~ 60 °C (-22 °F ~ 140 °F) ; Humidity 95% or less (non-condensing)
Power supply	12 V DC ± 10% ; PoE (802.3af)
Power consumption	Max. 5 W (Max. 7 W with IR cut filter on)
Impact protection	IEC60068-2-75Eh, 20J; EN50102, up to IK10 -W: EN50102, up to IK8
Ingress protection	IP66
IR range	30 meters
Dimensions	Φ111 × 82 (4.4" × 3.2")
Weight	500g (1.1 lbs)