



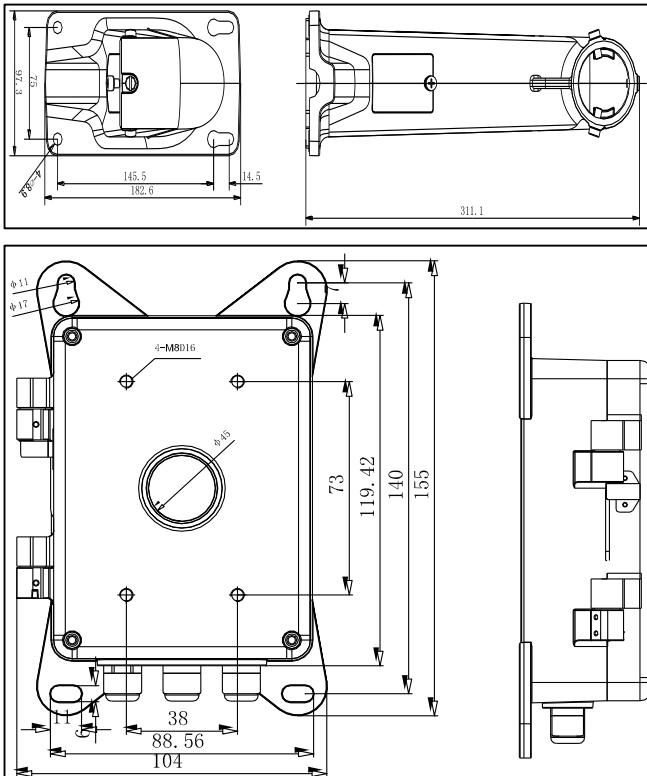
## DP-1602ZJ-box

Wall Mount Bracket Indoor/Outdoor

### Features:

- Aluminum alloy material with surface spray treatment
- General design for indoor/outdoor
- Better water proof design
- With safety rope, the assembling is safer and more convenient

### Dimension:



**Note:** The actual bracket may vary from the picture above.

### Order model:

DP-1602ZJ-box

### Parameters:

Model	DP-1602ZJ-box
Parameter	Wall Mount Bracket In/Outdoor
Color	white
Feature	Suitable for speed dome pendent mounting
Material	Aluminum alloy
Dimension	396.5×209×310mm
Weight	3230g

### Notice:

- The bracket should be installed on the flat surface of a wall
- The wall must be capable of supporting more than 3 times the total capacity of the camera and the bracket.