

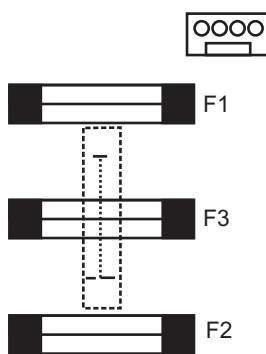
Connector for plug-in relay module



Electronics line (E.L) recommends testing the system at least once a week. Refer to the testing procedure found in the installation manual. Receiver communication must be tested monthly.

PROTECTION FUSES

F1 (BATT): 3A/250V (bel 5MF3)
 F2 (AUX): 1.6A/250V (bel 5MF1.6)
 F3 (BELL): 3A/250V (bel 5MF3)
 Install F3 horizontally to supply 12v nominal regulated power to bell. Install vertically to supply 9-18V unregulated to bell and terminal 28.



12V 7Ah BATTERY
 Charging current 700mA max.
 Replace the battery every 3 - 5 years

For maximum current calculation, add keypad consumption (approx. 60mA per keypad) to the total current drawn from the AUX power output.



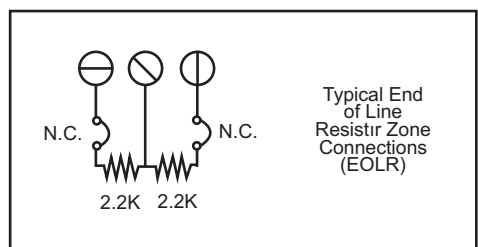
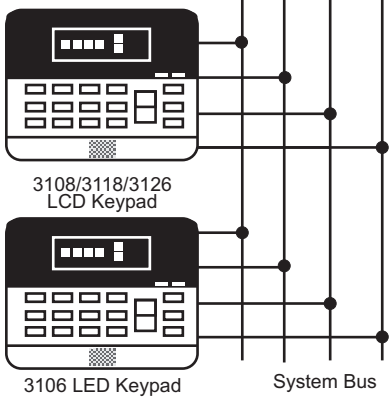
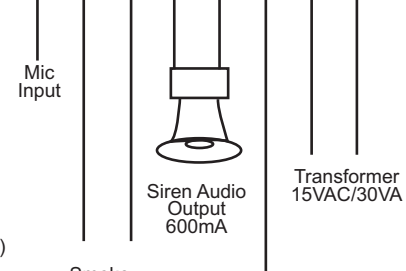
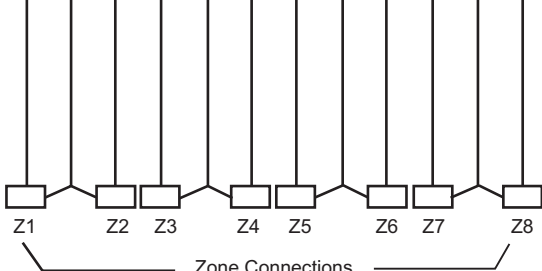
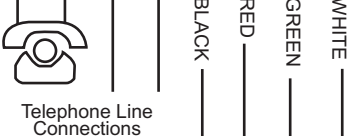
System Bus Connector

AUXILIARY POWER OUTPUT

Regulated 12VDC nominal.
 Fire: Supplies 220mA for 24 hours
 Burglary: Supplies 1A for 4 hours (including 100mA to smoke detector. terminals 24 and 25)

LED SYSTEM STATUS INDICATOR

On = Telephone Tone Detection
 Off = System in Communication
 Flashing = Dialing
 Flashing (1 pulse/sec) = Standby



Power connection to the unit should be according to the national electrical code for permanent installation

RED
BLACK